

**FUEL**



**DEVOTEC**  
industries

**INSTRUCTION MANUAL**





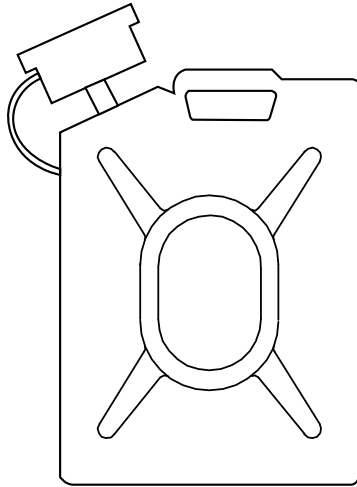
## **CONTENTS**

Package Contents	3
Welcome	4
Parts	5
Specifications	6
What is Fuel?	6
LEDs	6
Switch Fuel ON and OFF	7
Micro USB Input and Output	7
How to use	7
Important Disclaimer	8
Troubleshooting	8
Care Guidelines	9
Declaration of conformity	10
Warranty	11
Contact Devotec Industries	12

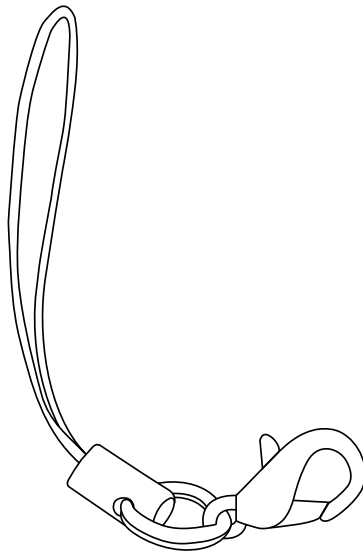


**PACKAGE CONTENTS**

Inside the Fuel micro charger box you will find:



*Fuel* charger



Keychain Loop



**NOT A TOY**

Contains small parts. Should not be given to children under 5 years.



## WELCOME

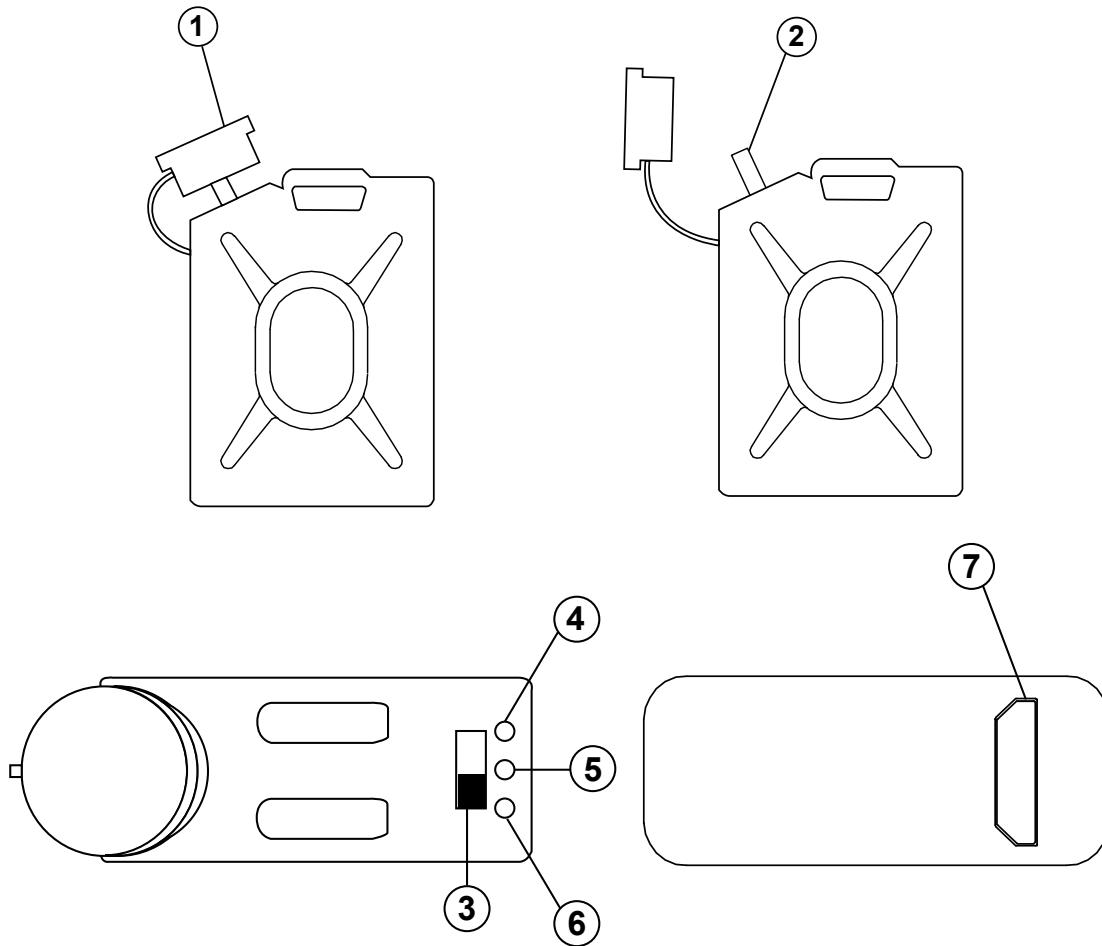
Thank you for choosing Devotec **Fuel** micro charger. This unit will provide extra power to your cellphone with its high quality technology.

This instruction manual will guide you to become familiar with your new **Fuel**, how does it work and how to use it to exploit all its potencial as a backup charger. Please read this manual before using **Fuel**.

**Fuel** is the world's smallest cellphone charger, which makes it easy to carry anywhere.



PARTS



1	Cap	5	Green LED
2	Micro USB male (charging output)	6	Blue LED
3	On/Off Switch	7	Micro USB female (charging input)
4	Red LED		



The silicone cap on the Fuel device is delicate and prone to breakage if undue force is applied. Please make sure to take the cap on and off of the Micro-USB Male by removing the cap part from the Micro-USB Male, and not by pulling the tail part of the silicone cap, as this may lead to damage. Please also do not loop your keychain through the aperture created when the silicone cap is placed on the Micro-USB Male, but through the 'carrying bars' at the top of the Fuel Micro Charger.



## SPECIFICATIONS

• Dimensions	1.3 x 0.9 x 0.6 inch 38mm x 27mm x 13.5mm
• Battery Capacity	230 mAh
• Battery Rating	5C
• Battery Max Current Discharge	600mA
• Charge Retention	Minimum 1 Month
• Battery Cycles	Minimum 500 Cycles
• Charging Platform	TI based

## WHAT IS **FUEL**?

**Fuel** is an emergency back up charger that can be used with all micro-USB phones, including Samsung, Nokia, Blackberry, LG, HTC and any other devices such as GPS, rechargeable headphones, that use the universal micro-USB plug standard.

The Devotec **Fuel** micro charger can increase a phone's battery level by 5-20% (depending on model), which is about 20 to 30 minutes of extra talk time for your phone. It is fully rechargeable and holds its charge for over a month.

## LEDs

On top of the case, you will see three LEDs. These LEDs are there to tell you if the Fuel is turned on, fully charged, or charging. Each of the three LEDs will light up to inform you of the status of the **Fuel**:

**Red:** Charging

**Green:** Fully charged

**Blue:** Power on



## SWITCH **FUEL** ON AND OFF

The switch on top of **Fuel** turns the device on and off. When not being used it should be turned off to keep the battery from discharging needlessly. If the blue LED turns on it means that the **Fuel** is on and ready to be used.

## MICRO USB INPUT AND OUTPUT

Micro-USB is the standard charging connector for all phones apart from iPhone. The micro-USB output on top of the case works with any existing micro-USB connector, such as the ones found in most Android mobile phones.

On the bottom part of the case you will find a micro-USB input, where you can plug in any standard micro-USB cable, wall charger that you have at home or use a computer USB to charge up Fuel.

## HOW TO USE

Charge up the **Fuel** by connecting a micro-USB cable or any micro-USB wall plug to the micro-USB female at the bottom of the Fuel, you will see the red LED light up while charging; once the Fuel is fully charged the green LED will turn on.

Remove the cap, turn the power switch on and plug into your phone, the same as you would with your normal charger. Your phone will start to recharge immediately.

**NOTE:** Fuel cannot be used as a pass-through charger. This means it cannot be charged up and charge another device at the same time. Please switch Fuel off during charging and do not plug any device into the Micro USB output when charging.

**NOTE:** It is normal to experience the green LED briefly light up while starting to charge Fuel, this is momentary and should be expected.



## HOW TO THREAD THE KEY CHAIN

This is an step-by-step guide on how to tread the key chain strap into the Fuel case. Follow the steps as shown below.

1.



2.



3.



4.



5.



6.







## **SAFETY - IMPORTANT DISCLAIMER**

This charger is not intended to be used as the single back up power supply in emergency situations. Do not rely upon Fuel as an emergency tool. If you are travelling into remote or dangerous areas you must plan carefully with adequate supplies, such as extra phone or GPS batteries. Fuel is a general use charger and cannot be relied upon to provide an emergency power supply in all conditions.

## **TROUBLESHOOTING**

### **IF the blue light doesn't turn on**

1. Try switching Fuel off and then on again using the switch.
2. Connect Fuel to a standard 5V USB power source and fully charge the battery. If this fails, try using a different power source or charging cable. The red light must be lit if Fuel is successfully charging up.
3. Ensure you are not trying to use Fuel as a pass-through charger (are not charging up and discharging Fuel at the same time). If you are, unplug the device from Micro USB output.
4. Try plugging the Fuel's Micro USB output into a device to initiate charging.

### **IF Fuel cannot recharge your device or your device displays a warning that Fuel is incompatible**

Note: Fuel's charging output is based on the industry standard USB power only specification, so as long as your device can recharge from a standard 500mA USB port (such as that on a desktop computer), it should also recharge from Fuel.

1. Ensure Fuel is fully charged (charged until the green light comes on) and Fuel is switched on (the Blue light must be on).
2. Ensure the Micro USB output is plugged into your device far enough. There should be a "click" when the device is connected properly. If necessary remove any cases from your device to allow better access for the Micro USB output connector.
3. If you are using a cable between Fuel and your device, try changing for a different
4. If your device displays a compatibility warning and you are using an adapter between Fuel and the device, ensure the adapter is made by the same manufacturer as your device or is officially endorsed by the manufacturer of your device.



**IF your device recognizes Fuel and begins to charge, but doesn't charge up (battery level doesn't increase or even decreases)**

1. Switch your device off during charging or turn off any running apps to reduce power consumption.
2. Turn down the screen brightness on your device and turn off WIFI, Bluetooth.

**IF the red light doesn't turn on when charging Fuel**

1. Connect Fuel to a standard 5V, 500mA USB power source such as desktop computer USB port. If this fails, try using a different power source or charging cable.
2. Ensure you are not trying to use Fuel as a pass-through charger (are not charging up and discharging Fuel at the same time). If you are, unplug the device from Micro USB output.
3. Leave Fuel plugged in to charge for at least 30 minutes.

**IF the green light doesn't turn on after more than 3 hours of charging Fuel**

1. Ensure Fuel is switched off (no blue light is lit)
2. Ensure you are using a standard USB power source such as a desktop PC USB port, and the port can provide at least 200mA of current.
3. Ensure you are not trying to use Fuel as a pass-through charger (are not charging up and discharging Fuel at the same time). If you are, unplug the device from Micro USB output.

**CARE GUIDELINES**

- Ensure the rubber cap is covering Micro USB output when Fuel is not in use
- Avoid carrying Fuel together with other metal objects that will contact with Fuel - if carrying on your key chain try to avoid the keys rubbing too heavily on Fuel.
- Take care not to drop onto hard surfaces.
- Do not expose to low or high temperatures outside of 0 to 40 °C (30F to 104F)
- Do not use chemical cleansers or alcohol to clean fuel - use only a dry cloth to wipe the casing.
- Fuel is not water proof or water resistant - do not expose to humidity or water. Never leave it outside in case of rain and never submerge in water.

## DECLARATION OF CONFORMITY

Fuel is certified to the following standards of conformity:



EN 60950-1, EN55022, EN55024, EN61000-6-1; EN61000-6-3

# RoHS

UN38.3

IEC62133



This device complies with Part 15 of the FCC rules. Operation is subject to the following two conditions: (1) this device may not cause harmful interference, and (2) this device must accept any interference received, including interference that may cause undesired operation.

**NOTE:** This equipment has been tested and found to comply with the limits for a Class B digital device, pursuant to Part 15 of the FCC Rules. These limits are designed to provide reasonable protection against harmful interference in a residential installation. This equipment generates, uses and can radiate radio frequency energy and, if not installed and used in accordance with the instructions, may cause harmful interference to radio communications. However, there is no guarantee that interference will not occur in a particular installation. If this equipment does cause harmful interference to radio or television reception, which can be determined by turning the equipment off and on, the user is encouraged to try to correct the interference by one or more of the following measures:

- Reorient or relocate the receiving antenna.
- Increase the separation between the equipment and receiver.
- Connect the equipment into an outlet on a circuit different from that to which the receiver is connected.
- Consult the dealer or an experienced radio/television technician for help.

Please note that changes or modifications not expressly approved by the party responsible for compliance could void the user's authority to operate the equipment.

## **WARRANTY**

Devotec Industries warrants that Fuel is free from manufacturing defects in material or workmanship for a period of six (6) months from the date of original purchase or 500 charge-discharge cycles, whichever is sooner. This warranty only applies to the original purchaser of the product.

### **This warranty does not cover:**

This limited warranty does not apply to: (1) defects resulting from alteration of the product, (2) defects resulting from use with accessories, cases, holders or other devices not expressly approved by Devotec Industries. (3) defects resulting from misuse, including any use not in accordance with the product instructions, abuse, accident, neglect, improper maintenance or handling, or normal wear and tear, (4) defects resulting from improper storage, such as storage outdoors, storage in damp environments, or storage with product exposed to moisture or chemicals.

### **What Devotec Industries will do in case of defective product:**

If you believe your product is defective, please contact Devotec Industries using the contact details provided below. To proceed with a warranty claim, the customer must notify Devotec Industries to obtain a Return Material Authorization (“RMA”) and return the defective product together with proof of purchase to the address specified by Devotec Industries. The customer shall bear the cost of shipping the product to Devotec Industries and Devotec Industries shall bear the cost of shipping the product back to the customer after the completion of service under this limited warranty. Any product returned to Devotec Industries without an RMA or without proof of purchase will be returned to customer at customer’s cost.



**DEVOTEC**  
industries

**FUEL** MICRO CHARGER

## **CONTACT DEVOTEC INDUSTRIES**

It's always great to hear from our customers and we try to answer any questions or inquiries you may have. For sales advice, technical issues or wholesale orders:

You can contact us by email at: [sales@devotecIndustries.com](mailto:sales@devotecIndustries.com)

If you want to write to us, please use one of the following addresses:

- US: Devotec Industries, PO Box 2305, Duluth GA, 30096-0040 USA
- UK: Devotec Industries, 5 Bryanston Square, London W1H 2DH, UK

[www.devotecindustries.com](http://www.devotecindustries.com)